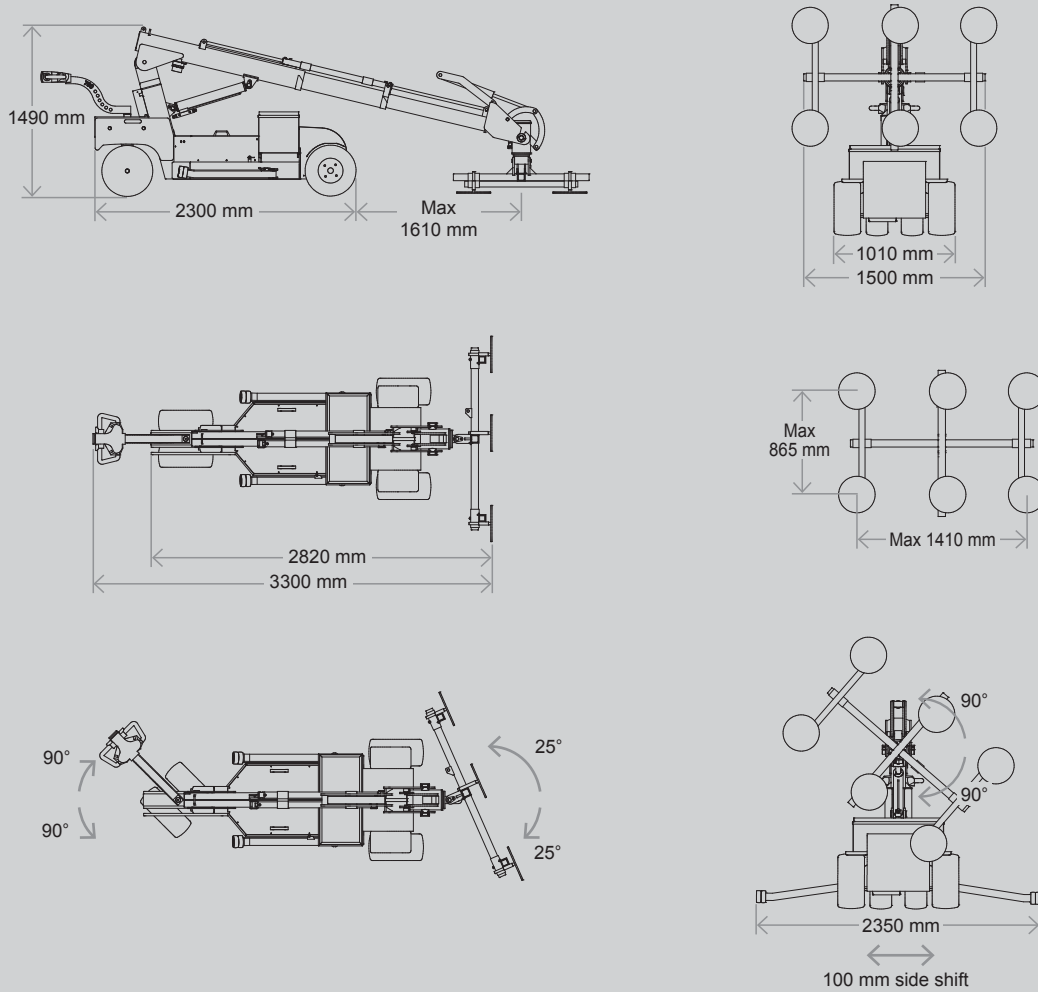




**Smart lift**  
SL 808 Outdoor

Product information and specifications

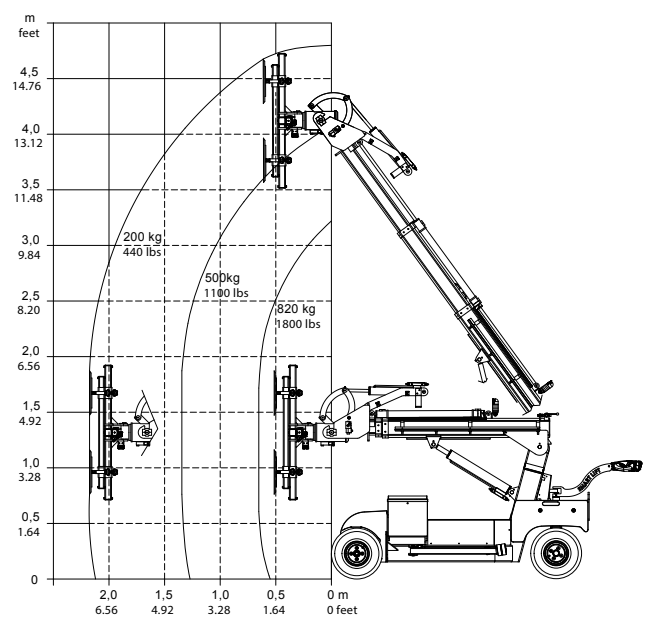
BASIC DATA (PROVISIONAL)



TECHNICAL SPECIFICATIONS

Lifting cap. arm in/out	820 / 200 kg
Lifting height	4,400 mm
Extension of arm	2 x 830 mm
Tip from horizontal	42° back / 86 ° fwd
Side shift	100 mm
Charging voltage	230V / 110V
Charging time	Approx. 8 hrs.
Battery	4 x 134 Ah AGM
Running period	Up to 8 hrs.
Front wheel drive	2000 W AC
Suction pads	4 x Ø400mm & 2 x Ø300mm
Curb weight	1,300 kg
Class	IP 65

LIFTING DIAGRAM



[www.instant.no](http://www.instant.no)



**Norway**

Tel.: +47 23 19 11 00  
info@instant.no

**Lithuania**

Tel.: +370 5 233 1096  
info@instant.lt

**Latvia**

Tel.: + 371 263 58 152  
info@instantlatvija.lv

**Estonia**

Tel.: +372 680 76 33  
info@instant.ee